

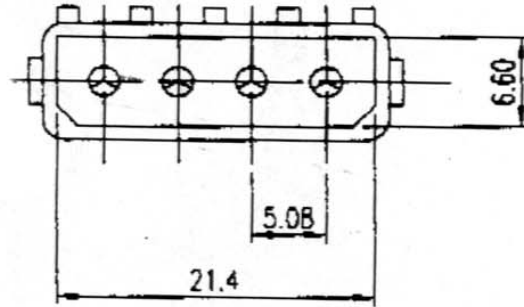
5.08MM(0.200") SPACING DISK DRIVE POWER CONNECTOR (4)

■ WAFER

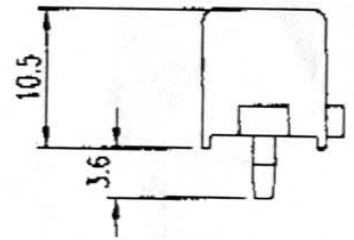
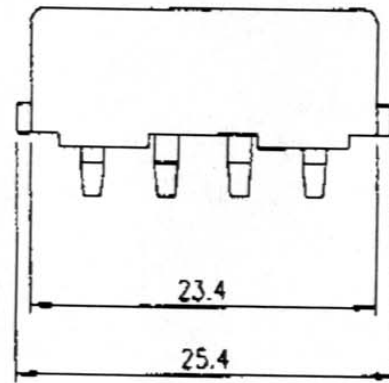
- Material: Post: Brass, Tin/Plated
Base: Nylon 66, UL94V-2
- Pitch: 5.08mm (.200")
- Poles: 4

■ SPECIFICATIONS

- Rated Voltage: 250V AC,DC
- Rated Current: 6A
- Withstand Voltage: 1,500V AC/minute
- Insulation Resistance: 1,000M Ohm min
- Temperature Range: -25~120° C
- Applicable P.C.B. Thickness: 1.6mm
- Applicable P.C.B. Hole dia.: $\pm 0.9\text{mm} \pm 0.05$



NOTE: Mates with Housing
508AQ-004HW, 508AH-004HW

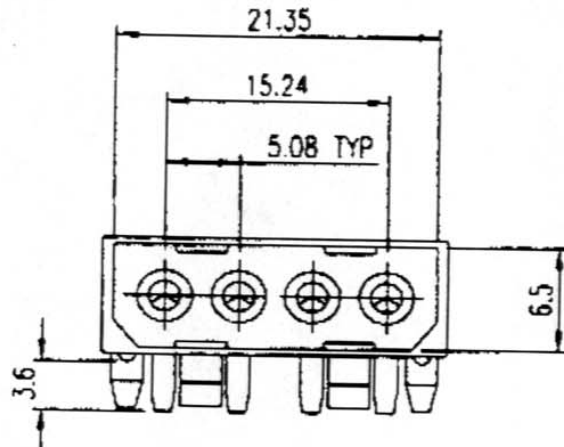


■ WAFER

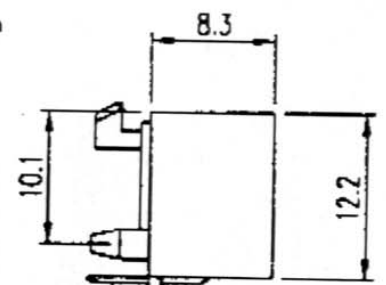
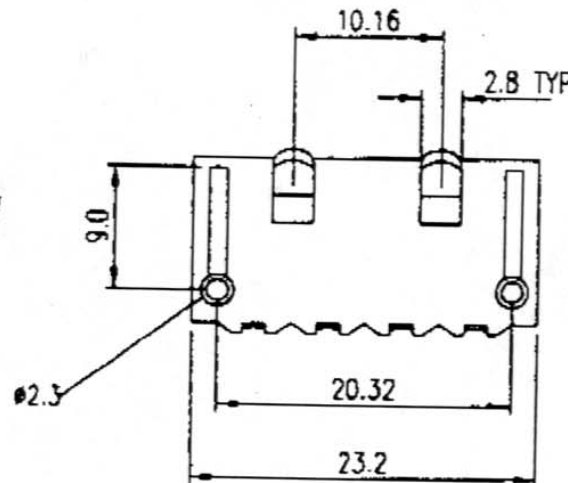
- Material: Post: Brass, Tin/Plated
Base: Nylon 66, UL94V-2
- Pitch: 5.08mm (.200")
- Poles: 4

■ SPECIFICATIONS

- Rated Voltage: 250V AC,DC
- Rated Current: 6A
- Withstand Voltage: 1,500V AC/minute
- Insulation Resistance: 1,000M Ohm min
- Temperature Range: -25~120° C
- Applicable P.C.B. Thickness: 1.6mm
- Applicable P.C.B. Hole dia.: $\pm 0.9\text{mm} \pm 0.05$



NOTE: Mates with Housing
508AQ-004HW, 508AH-004HW



PSG 5